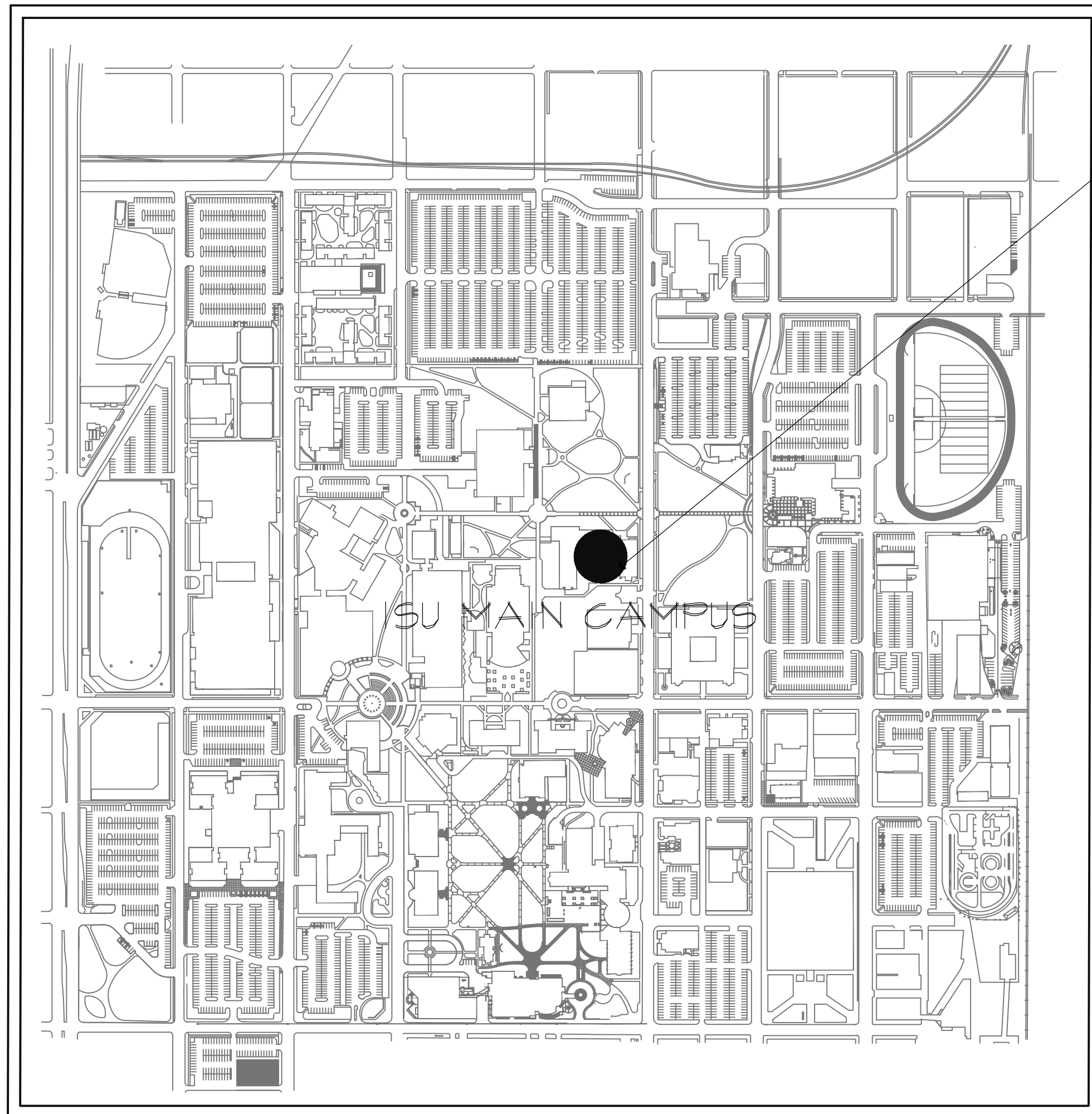


CLASSROOM FINISHES RENOVATION ROOT HALL



PROJECT LOCATION MAP

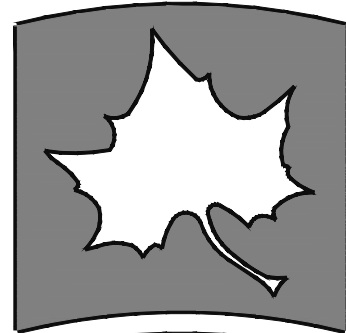
PROJECT LOCATION

DRAWING INDEX

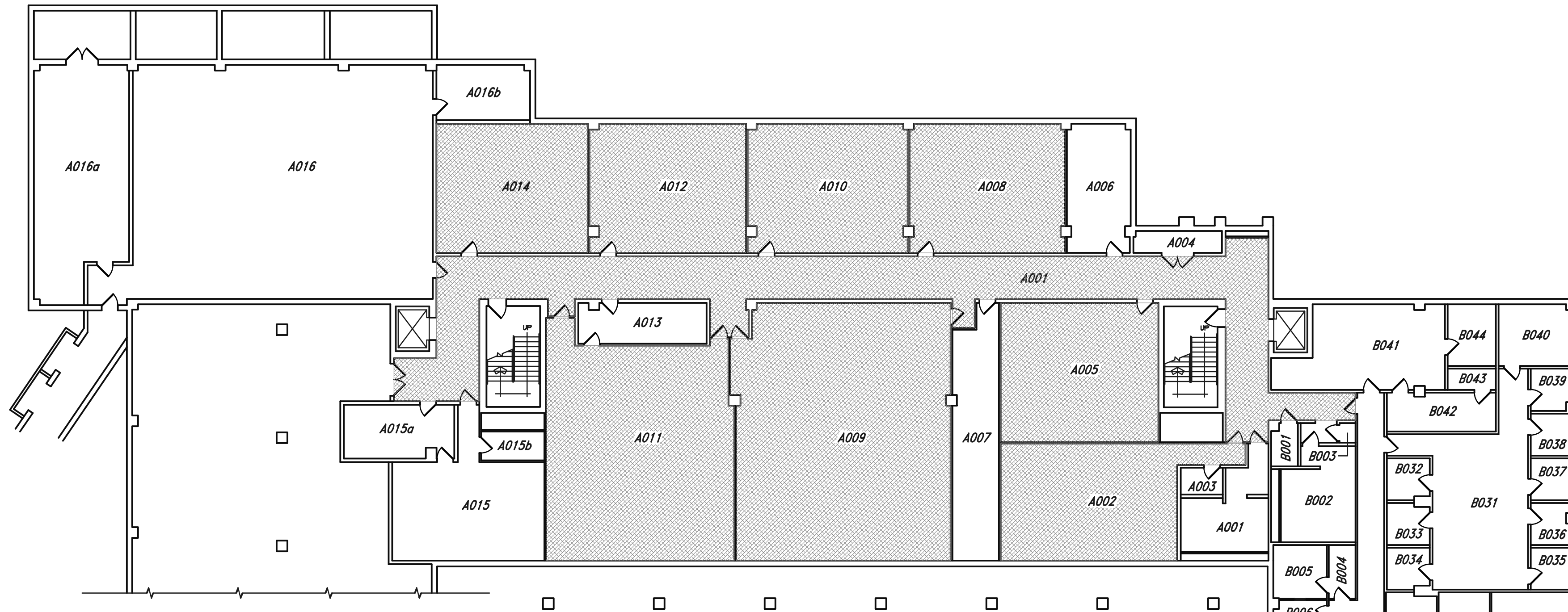
CIVIL	ELECTRICAL
DEMOLITION	MECHANICAL
ARCHITECTURAL	PLUMBING
A001 LOWER LEVEL FLOOR PLAN	
A101 FIRST FLOOR PLAN	

DATE: 5/21/13 PROJ. NO.: 1213-053





INDIANA STATE UNIVERSITY
 Facilities Management Department
 951 Sycamore Street
 Terre Haute, Indiana 47809
 Phone: (812) 251-8100 Fax: (812) 251-1630



LOWER LEVEL FLOOR PLAN
 SCALE: 1/16"=1'-0"

ROOM FINISH SCHEDULE

<p>A001 1867 SQUARE FEET NEW CARPETING NEW 4" VINYL BASE PAINT WALLS TWO FINISH COATS NEW 2' X 2' CEILING TILE ADDITIONAL GRID TEE'S</p>	<p>A008 694 SQUARE FEET NEW CARPETING NEW 4" VINYL BASE PAINT WALLS TWO FINISH COATS NEW 2' X 2' CEILING TILE ADDITIONAL GRID TEE'S</p>	<p>A011 1428 SQUARE FEET NEW CARPETING NEW 4" VINYL BASE PAINT WALLS TWO FINISH COATS NEW 2' X 2' CEILING TILE ADDITIONAL GRID TEE'S</p>
<p>A002 710 SQUARE FEET NEW CARPETING NEW 4" VINYL BASE PAINT WALLS TWO FINISH COATS NEW 2' X 2' CEILING TILE ADDITIONAL GRID TEE'S</p>	<p>A009 1910 SQUARE FEET NEW CARPETING NEW 4" VINYL BASE PAINT WALLS TWO FINISH COATS NEW 2' X 2' CEILING TILE ADDITIONAL GRID TEE'S</p>	<p>A012 697 SQUARE FEET NEW CARPETING NEW 4" VINYL BASE PAINT WALLS TWO FINISH COATS NEW 2' X 2' CEILING TILE ADDITIONAL GRID TEE'S</p>
<p>A005 765 SQUARE FEET NEW CARPETING NEW 4" VINYL BASE PAINT WALLS TWO FINISH COATS NEW 2' X 2' CEILING TILE ADDITIONAL GRID TEE'S</p>	<p>A010 711 SQUARE FEET NEW CARPETING NEW 4" VINYL BASE PAINT WALLS TWO FINISH COATS NEW 2' X 2' CEILING TILE ADDITIONAL GRID TEE'S</p>	<p>A014 680 SQUARE FEET NEW CARPETING NEW 4" VINYL BASE PAINT WALLS TWO FINISH COATS NEW 2' X 2' CEILING TILE ADDITIONAL GRID TEE'S</p>

GENERAL NOTES:

CARPET TILE SHALL BE J & J INVISION; EVOLVE MODULAR; STYLE 7981; COLOR # 1477 AMALGAM; PATTERN LAYOUT "BRICK"

4" VINYL BASE SHALL BE JOHNSONITE; COLOR # 55 SILVER GREY

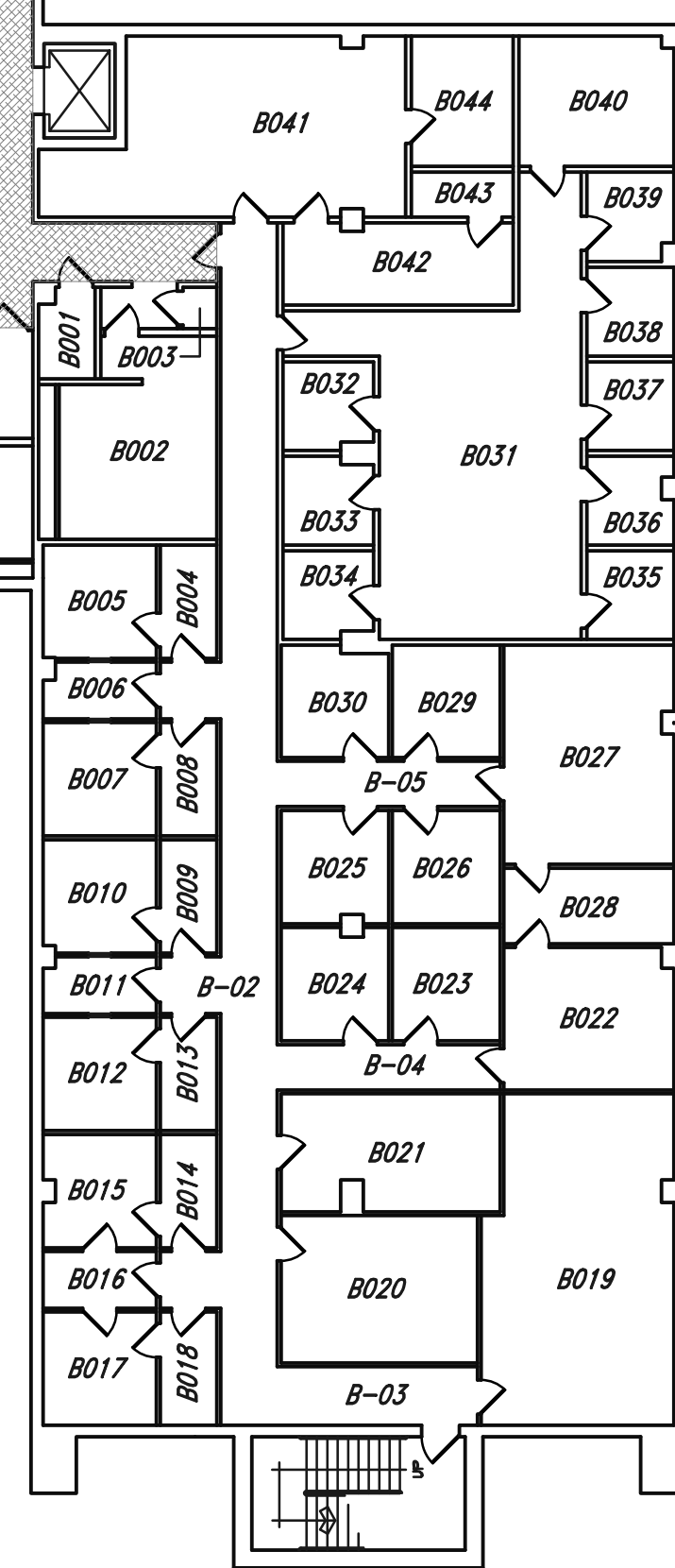
PAINT ALL WALLS IN ROOM AND ALL DOOR FRAMES IN ROOM. PAINT COLOR TO BE SELECTED BY OWNER.

THE NEW CEILING TILE SHALL BE ARMSTRONG #137 2' X 2' RECESSED REGULAR TILE WITH ADDITIONAL WHITE TEE'S AS REQUIRED TO MATCH EXISTING.

THE EXISTING VINYL FLOORING SHALL REMAIN. PATCH / INFILL AS NEEDED FOR NEW CARPETING.

THE EXISTING LAMINATE CHAIR RAILING SHALL REMAIN. FIX CHAIR RAILING THAT IS LOOSE FROM WALLS.

ALL LIGHTING IN ROOMS ARE TO REMAIN AS IS. CONTRACTOR WILL PROVIDE A UNIT PRICE FOR REPLACEMENT OF 2 X 4 LIGHT FIXTURES WITH NEW LED FIXTURE AS SPECIFIED.



CLASSROOM FINISHES RENOVATION
 ROOT HALL

LOWER LEVEL FLOOR PLAN

DATE:	5/17/2013
SCALE:	1/16"=1'-0"
DRAWN BY:	STILLMAN
CHECKED BY:	B. DUNCAN
APPROVED BY:	K. RUNION
PROJECT NO.:	

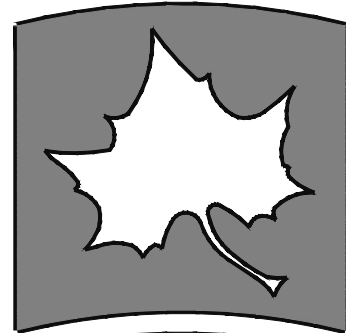
REVISIONS

1	
2	

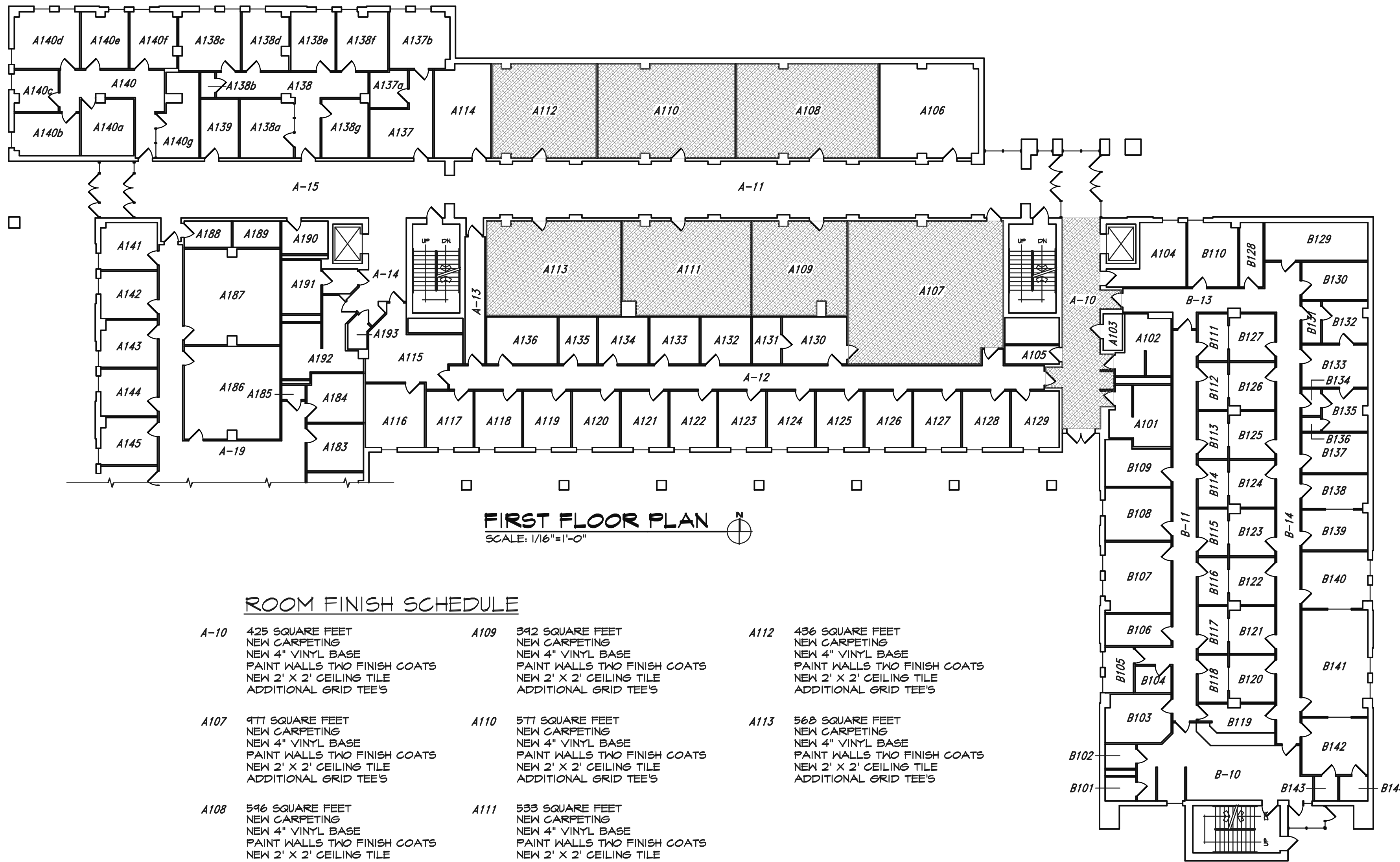
SHEET NO.:

A001

OF SHEETS



INDIANA STATE UNIVERSITY
 Facilities Management Department
 951 Sycamore Street
 Terre Haute, Indiana 47809
 Phone: (812) 251-8100 Fax: (812) 251-1630



FIRST FLOOR PLAN
 SCALE: 1/16"=1'-0"

ROOM FINISH SCHEDULE

<p>A-10 425 SQUARE FEET NEW CARPETING NEW 4" VINYL BASE PAINT WALLS TWO FINISH COATS NEW 2' X 2' CEILING TILE ADDITIONAL GRID TEE'S</p>	<p>A-109 392 SQUARE FEET NEW CARPETING NEW 4" VINYL BASE PAINT WALLS TWO FINISH COATS NEW 2' X 2' CEILING TILE ADDITIONAL GRID TEE'S</p>	<p>A-112 436 SQUARE FEET NEW CARPETING NEW 4" VINYL BASE PAINT WALLS TWO FINISH COATS NEW 2' X 2' CEILING TILE ADDITIONAL GRID TEE'S</p>
<p>A-107 971 SQUARE FEET NEW CARPETING NEW 4" VINYL BASE PAINT WALLS TWO FINISH COATS NEW 2' X 2' CEILING TILE ADDITIONAL GRID TEE'S</p>	<p>A-110 571 SQUARE FEET NEW CARPETING NEW 4" VINYL BASE PAINT WALLS TWO FINISH COATS NEW 2' X 2' CEILING TILE ADDITIONAL GRID TEE'S</p>	<p>A-113 568 SQUARE FEET NEW CARPETING NEW 4" VINYL BASE PAINT WALLS TWO FINISH COATS NEW 2' X 2' CEILING TILE ADDITIONAL GRID TEE'S</p>
<p>A-108 596 SQUARE FEET NEW CARPETING NEW 4" VINYL BASE PAINT WALLS TWO FINISH COATS NEW 2' X 2' CEILING TILE ADDITIONAL GRID TEE'S</p>	<p>A-111 533 SQUARE FEET NEW CARPETING NEW 4" VINYL BASE PAINT WALLS TWO FINISH COATS NEW 2' X 2' CEILING TILE ADDITIONAL GRID TEE'S</p>	

GENERAL NOTES:

CARPET TILE SHALL BE J & J INVISION; EVOLVE MODULAR; STYLE 7981; COLOR # 1477 AMALGAM; PATTERN LAYOUT "BRICK"
 4" VINYL BASE SHALL BE JOHNSONITE; COLOR # 55 SILVER GREY
 PAINT ALL WALLS IN ROOM AND ALL DOOR FRAMES IN ROOM.
 PAINT COLOR TO BE SELECTED BY OWNER.
 THE NEW CEILING TILE SHALL BE ARMSTRONG #737 2' X 2' RECESSED TEGULAR TILE WITH ADDITIONAL WHITE TEE'S AS REQUIRED TO MATCH EXISTING.

THE EXISTING VINYL FLOORING SHALL REMAIN.
 PATCH / INFILL AS NEEDED FOR NEW CARPETING.

THE EXISTING LAMINATE CHAIR RAILING SHALL REMAIN.
 FIX CHAIR RAILING THAT IS LOOSE FROM WALLS.

ALL LIGHTING IN ROOMS ARE TO REMAIN AS IS.
 CONTRACTOR WILL PROVIDE A UNIT PRICE FOR REPLACEMENT OF 2 X 4 LIGHT FIXTURES WITH NEW LED FIXTURE AS SPECIFIED.

CLASSROOM FINISHES RENOVATION
 ROOT HALL

FIRST FLOOR PLAN

DATE:	5/17/2013
SCALE:	1/16"=1'-0"
DRAWN BY:	STILLMAN
CHECKED BY:	B. DUNCAN
APPROVED BY:	K. RUNION
PROJECT NO.:	

REVISIONS	
1	
2	

SHEET NO.:
A101
 OF SHEETS